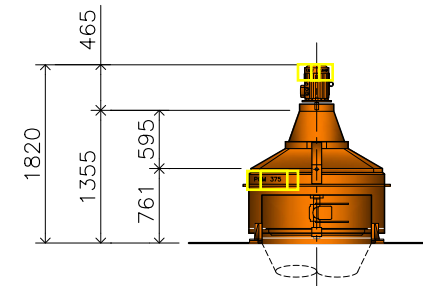
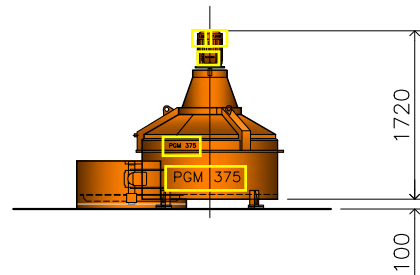
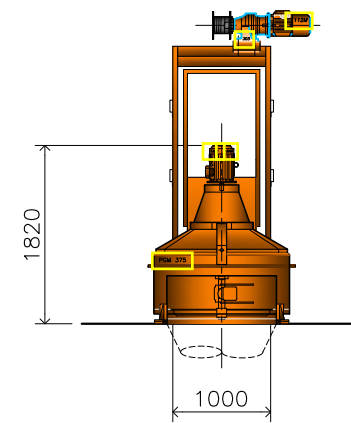
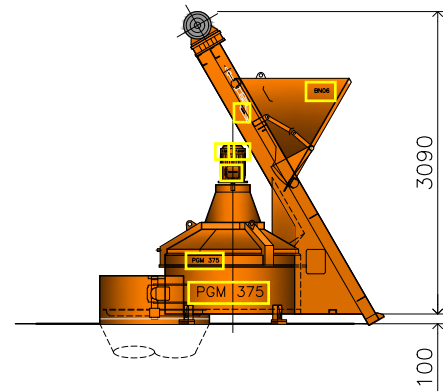
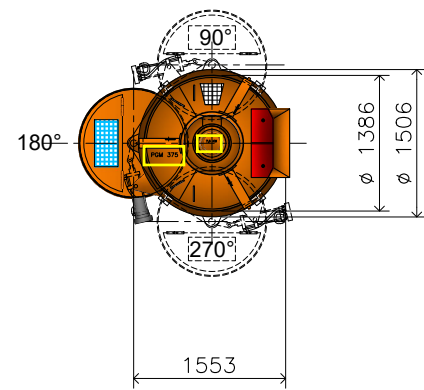


# Taurus Planetary Countercurrent Mixer

## PGM 375 - 250



### Technical data Planetary Mixer Taurus PGM 375 / 250

Dry filling capacity	Ltr	375
Output per batch, compacted	Ltr	250
Mixer drive motor	kW	7,5
Mixing stars	n°	1
Mixing shovels / mixing star	n°	2
Mixing shovels width	mm	2 x 360
Side scrapers	n°	1
Side scrapers width	mm	480
Speed of rotor	Rpm	18,2
Speed of mixing stars	Rpm	46,2
Water spray nozzles	n°	2
Weight of mixer	kg	1500

### Technical data skip-hoist Taurus PGM 375 / 250

Dry filling capacity	Ltr	375
Max filling weight	kg	550
Hoist drive motor	kW	4
Speed of hoist up / down	n°	0,4 / 0,8
Dia. of hoisting wire	mm	10

